



HENRAD

STELRAD RADIATOR GROUP

Beautiful radiators for modern living

Архангельск (8182)63-90-72
Астана +7(7172)727-132
Белгород (4722)40-23-64
Брянск (4832)59-03-52
Владивосток (423)249-28-31
Волгоград (844)278-03-48
Вологда (8172)26-41-59
Воронеж (473)204-51-73
Екатеринбург (343)384-55-89
Иваново (4932)77-34-06
Ижевск (3412)26-03-58
Казань (843)206-01-48

Калининград (4012)72-03-81
Калуга (4842)92-23-67
Кемерово (3842)65-04-62
Киров (8332)68-02-04
Краснодар (861)203-40-90
Красноярск (391)204-63-61
Курск (4712)77-13-04
Липецк (4742)52-20-81
Магнитогорск (3519)55-03-13
Москва (495)268-04-70
Мурманск (8152)59-64-93
Набережные Челны (8552)20-53-41

Нижний Новгород (831)429-08-12
Новокузнецк (3843)20-46-81
Новосибирск (383)227-86-73
Орел (4862)44-53-42
Оренбург (3532)37-68-04
Пенза (8412)22-31-16
Пермь (342)205-81-47
Ростов-на-Дону (863)308-18-15
Рязань (4912)46-61-64
Самара (846)206-03-16
Санкт-Петербург (812)309-46-40
Саратов (845)249-38-78

Смоленск (4812)29-41-54
Сочи (862)225-72-31
Ставрополь (8652)20-65-13
Тверь (4822)63-31-35
Томск (3822)98-41-53
Тула (4872)74-02-29
Тюмень (3452)66-21-18
Ульяновск (8422)24-23-59
Уфа (347)229-48-12
Челябинск (351)202-03-61
Череповец (8202)49-02-64
Ярославль (4852)69-52-93

Единый адрес для всех регионов: hdr@nt-rt.ru || www.henrad.nt-rt.ru

Contents

03/05	Arno Towel Rail Range
04	- Arno Single
04	- Arno Double
05	- Arno Curved Towel Rail
06	Verona Towel Rail
07/10	Verona Range
08	- Verona Single Plane
08	- Verona Double Plane
08	- Verona Vertical
09	- Verona Lo-Line
10	- Verona Slimline
11/12	Column Range
12	- Column 2
12	- Column 2 Vertical
12	- Column 3
12	- Column 4
13/14	Everest Line
15/16	Alto Line
17/18	Compact
19/20	LST Standard
21/26	Technical Data
27/28	Colour Range
29	Glossary



Designer warmth with contemporary flair

Radiators play such an important role in today's lifestyles. They are the focal point of many rooms, so they should reflect your aspirational needs for good looks as well as a comfortable environment. Henrad is the radiator range to satisfy all your expectations.

As part of the Stelrad Radiator Group, Henrad has a highly respected pedigree. Within the current portfolio, the Compact steel panel range is unsurpassed, offering over 140 variants to meet your specific needs. And, representing the demand for leading edge design, the Verona, Everest Line, Alto Line and Column styles are already well established.

We have now added some stunning new products, including the Arno Single, Arno Double, Arno Curved and Verona Towel Rails to give you even more choice for your home. Henrad's new addition is the LST Standard, a low surface temperature radiator for safety conscious environments. There are also plenty of variants that now include the option of stylish modern colourways to further enhance your favourite rooms.

Henrad – the radiator for choice, quality and guaranteed value.

Arno Single Towel Rail



Arno Double Towel Rail



Arno Curved Towel Rail



Verona Towel Rail



Arno Towel Rail Range



Elegant tube on tube design consisting of a tight array of slim tubes makes the Arno range an easy choice for any bathroom or kitchen.



Working pressure:
Tested to withstand 6 bar



Arno Single

Height mm	Length mm	Henrad Code	UIN Colour	Heat emissions	
				Watts	Btu/hr
792	450	417902450	417902451	389	1327
	500	417902500	417902501	431	1471
	600	417902600	417902601	517	1764
	750	417902750	417902751	645	2201
1088	450	411002450	411002451	615	2098
	500	411002500	411002501	675	2303
	600	411002600	411002601	794	2709
	750	411002750	411002751	972	3316
1680	450	411602450	411602451	900	3071
	500	411602500	411602501	986	3364
	600	411602600	411602601	1158	3951
	750	411602750	411602751	1416	4831
1976	450	411902450	411902451	1002	3419
	500	411902500	411902501	1099	3750
	600	411902600	411902601	1294	4415
	750	411902750	411902751	1586	5411

Btu/hr @ $\Delta t50^{\circ}\text{C}$

Colour options available, see page 27

Price of coloured radiators are available on request.

When a coloured radiator has been ordered it cannot be cancelled or returned.
All coloured radiators have a 6 week lead time from date of order.

Arno Double

Height mm	Length mm	Henrad Code	UIN Colour	Heat emissions	
				Watts	Btu/hr
792	450	427902450	427902451	552	1883
	500	427902500	427902501	616	2102
	600	427902600	427902601	748	2552
	750	427902750	427902751	947	3231
1088	450	421002450	421002451	868	2962
	500	421002500	421002501	963	3286
	600	421002600	421002601	1154	3937
	750	421002750	421002751	1441	4917
1680	450	421602450	421602451	1268	4326
	500	421602500	421602501	1402	4784
	600	421602600	421602601	1670	5698
	750	421602750	421602751	2073	7073
1976	450	421902450	421902451	1427	4869
	500	421902500	421902501	1576	5377
	600	421902600	421902601	1874	6394
	750	421902750	421902751	2321	7919

Btu/hr @ $\Delta t50^{\circ}\text{C}$

Arno Curved Towel Rail



Colour illustrated Dove grey

Arno Curved Towel Rail

Height mm	Length mm	Henrad Code	UIN Colour	Heat emissions	
				Watts	Btu/hr
792	496	447902496	447902497	431	1471
	595	447902595	447902596	517	1764
1088	496	441002496	441002497	675	2303
	595	441002595	441002596	794	2709
1680	496	441602496	441602497	986	3364
	595	441602595	441602596	1158	3951
1976	496	441902496	441902497	1099	3750
	595	441902595	441902596	1294	4415

Btu/hr @ $\Delta t 50^{\circ}\text{C}$

Elegant tube on tube design consisting of a tight array of slim curved tubes makes the Arno range an easy choice for any bathroom or kitchen whether it's a modern, contemporary or period interior.

Working pressure:
Tested to withstand 6 bar



Colour options available, see page 27

Price of coloured radiators are available on request.
When a coloured radiator has been ordered it cannot be cancelled or returned.
All coloured radiators have a 6 week lead time from date of order.

Verona Towel Rail

The Verona Towel Rail offers a stunning alternative to tubular towel rails. Providing a contemporary solution to a wide range of building applications.

Verona Towel Rail

Height mm	Length mm	Henrad Code	UIN Colour	Heat emissions	
				Watts	Btu/hr
796	450	437902450	437902451	342	1167
	600	437902600	437902601	447	1525
1121	450	431102450	431102451	530	1808
	600	431102600	431102601	694	2368
1446	450	431402450	431402451	666	2272
	600	431402600	431402601	869	2965
1706	450	431702450	431702451	777	2651
	600	431702600	431702601	1010	3446

Btu/hr @ $\Delta t 50^{\circ}\text{C}$

Working pressure:
Tested to withstand 4 bar



Colour options available, see page 27

Price of coloured radiators are available on request.
When a coloured radiator has been ordered it cannot be cancelled or returned.
All coloured radiators have a 6 week lead time from date of order.

Colour illustrated Pastel orange



Verona Range



Offering visual appeal combined with advanced technology, the Verona provides a contemporary solution for a huge range of applications.

With a choice of four types and a variety of sizes and outputs, the Verona allows extensive flexibility of siting, whilst breaking new barriers in heating efficiency.

Verona Single Plane



Verona Single Plane

Height mm	Length mm	Henrad Code	Heat emissions	
			Watts	Btu/hr
588	500	248363	500	1706
	600	248364	599	2044
	700	248365	699	2385
	800	248366	799	2727
	1000	248368	999	3409
	1200	248370	1199	4092
	1400	248371	1399	4775
	1600	248372	1598	5452
	1800	248373	1798	6135
2000	248374	1998	6817	

Btu/hr @ $\Delta t50^{\circ}\text{C}$

Verona Double Plane



Verona Double Plane

Height mm	Length mm	Henrad Code	Heat emissions	
			Watts	Btu/hr
588	600	248415	992	3385
	700	248416	1158	3951
	800	248417	1323	4514
	900	248418	1489	5080
	1000	248419	1654	5643
	1200	248421	1985	6773
	1400	248422	2316	7902
	1600	248423	2646	9028
	1800	248424	2977	10158
	2000	248425	3308	11287

Btu/hr @ $\Delta t50^{\circ}\text{C}$

Verona Vertical



Working pressure:
Tested to withstand 4.6 bar



Verona Vertical

Height mm	Length mm	Henrad Code	Heat emissions	
			Watts	Btu/hr
1800	440	248340	780	2662
	588	248341	1040	3549
	736	248342	1300	4436
2000	440	248343	870	2969
	588	248344	1160	3959
	736	248345	1450	4947

Btu/hr @ $\Delta t50^{\circ}\text{C}$

Verona Range



Verona Lo-Line

Verona Lo-Line



Height mm	Length mm	Henrad Code	Heat emissions	
			Watts	Btu/hr
144	800	248581	530	1809
	1400	248311	928	3166
	2000	248314	1326	4524
	2200	248315	1459	4979
292	2200	248323	2468	8423

Btu/hr @ $\Delta t 50^{\circ}\text{C}$

Working pressure:
Tested to withstand 4.6 bar



Offering visual appeal combined with advanced technology, the Verona provides a contemporary solution for a huge range of applications.

With a choice of four types and a variety of sizes and outputs, the Verona allows extensive flexibility of siting, whilst breaking new barriers in heating efficiency.



Verona Slimline

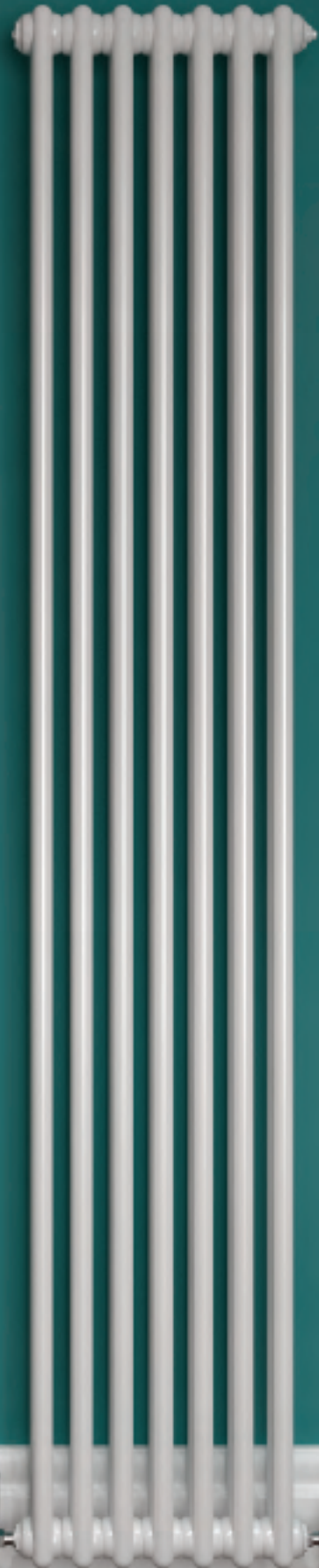
Height mm	Length mm	Henrad Code	Heat emissions	
			Watts	Btu/hr
1800	320	248300	872	2976
	440	248301	1199	4092
	520	248302	1417	4836
	640	248303	1744	5952
2000	320	248304	978	3338
	440	248305	1344	4587
	520	248306	1589	5423
	640	248307	1956	6675

Btu/hr @ $\Delta t 50^{\circ}\text{C}$

Working pressure:
Tested to withstand 4.6 bar



Column Range



The most modern execution of a traditional concept, this classic style brings innovation and reliability to a high performance design.

Vertical and horizontal options offer a modern alternative to a traditional panel radiator, and will enhance both contemporary and traditional settings.

Column 2

Height mm	Length mm	Henrad Code	Heat emissions	
			Watts	Btu/hr
500	628	263012	499	1703
	628	263028	589	2010
600	858	263029	815	2783
	1042	263030	997	3401
	1272	263031	1223	4174

Btu/hr @ $\Delta t50^{\circ}\text{C}$

Column 2 Vertical

Height mm	Length mm	Henrad Code	Heat emissions	
			Watts	Btu/hr
1800	352	263054	868	2962
	444	263055	1116	3808
2000	352	263056	1197	4084
	444	263057	1242	4239

Btu/hr @ $\Delta t50^{\circ}\text{C}$

Column 3

Height mm	Length mm	Henrad Code	Heat emissions	
			Watts	Btu/hr
500	444	263016	464	1583
	858	263018	929	3170
	1042	263019	1135	3874
	1272	263020	1393	4755
	1456	263021	1600	5459
	1870	263022	2064	7044
600	444	263032	548	1871
	628	263033	792	2702
	858	263034	1096	3741
	1042	263035	1340	4572
	1272	263036	1644	5609
	1456	263037	1888	6443
750	1870	263038	2436	8314
	858	263044	1337	4564
	1042	263045	1635	5579
	1272	263046	2006	6844
1456	263047	2303	7858	

Btu/hr @ $\Delta t50^{\circ}\text{C}$



Working pressure:
Tested to withstand 8 bar

Column 2 Vertical

Column 2



Column 3

Column 4

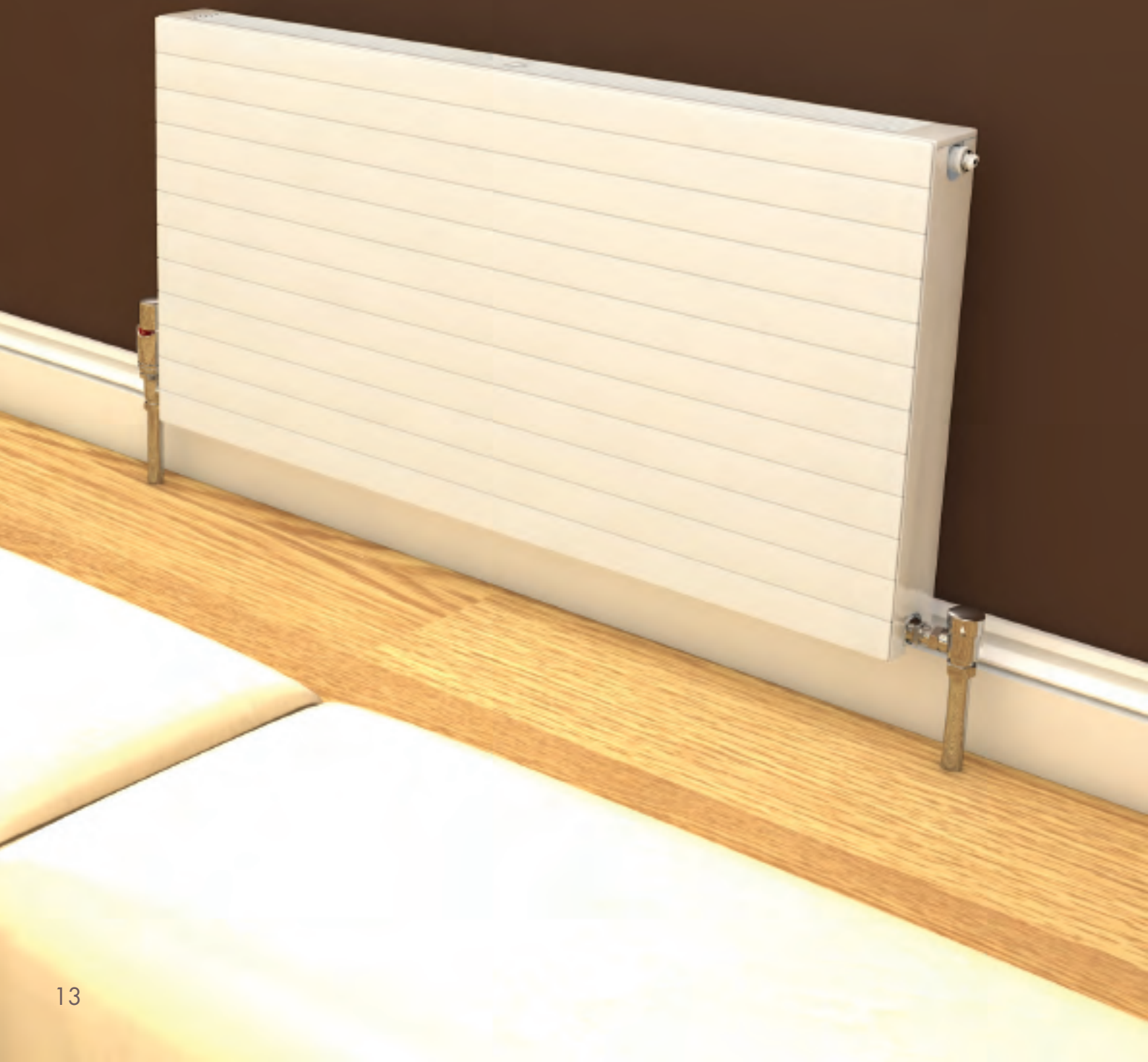
Column 4

Height mm	Length mm	Henrad Code	Heat emissions	
			Watts	Btu/hr
500	858	263025	1217	4152
	1042	263026	1487	5074
	1272	263027	1825	6227
600	628	263040	1037	3538
	858	263041	1436	4900
	1042	263042	1756	5991
750	1272	263043	2155	7353
	628	263050	1266	4320
	858	263051	1753	5981
	1042	263052	2143	7312
1272	263053	2630	8974	

Btu/hr @ $\Delta t50^{\circ}\text{C}$



Everest Line



With its flat front panel featuring pleasing horizontal lines the Henrad Everest Line radiator offers contemporary good looks, adding a new dimension to any room.



Everest Line

Everest Line

Single Convector Type 11

Height mm	Length mm	Henrad Code	Heat emissions	
			Watts	Btu/hr
500	600	3051106	448	1530
	800	3051108	598	2040
	1000	3051110	746	2545
	1200	3051112	897	3060
	1400	3051114	1046	3570
600	600	3061106	522	1781
	800	3061108	696	2375
	1000	3061110	870	2968
	1200	3061112	1044	3562
	1400	3061114	1219	4158

Btu/hr @ $\Delta t50^{\circ}\text{C}$

Working pressure:
Tested to withstand 8 bar



Everest Line

Everest Line

Double Convector Type 22

Height mm	Length mm	Henrad Code	Heat emissions	
			Watts	Btu/hr
500	600	3052206	833	2842
	800	3052208	1110	3787
	1000	3052210	1388	4736
	1200	3052212	1666	5684
	1400	3052214	1943	6630
600	600	3062206	961	3279
	800	3062208	1281	4371
	1000	3062210	1601	5463
	1200	3062212	1921	6554
	1400	3062214	2241	7646

Btu/hr @ $\Delta t50^{\circ}\text{C}$

Alto Line



The Henrad Alto Line radiator incorporates all the features of the Henrad Everest Line but with a vertical line design.

Alto Line



Alto Line

Double Convector Type 22

Height mm	Length mm	Henrad Code	Heat emissions	
			Watts	Btu/hr
1600	300	3162203	693	2365
	500	3162205	1155	3941
1800	500	3182205	1266	4320

Btu/hr @ $\Delta t 50^{\circ}\text{C}$

Working pressure:
Tested to withstand 8 bar



Compact

With a slim profile and smooth, white finish, Henrad Compact radiators will blend into any room in the house, to provide guaranteed heating performance.



Compact

Single Convector Type 11 & Type 21
Double Convector Type 22

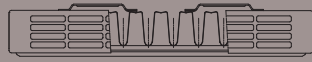
Working pressure:
Tested to withstand 8 bar



Type 11

Type 21

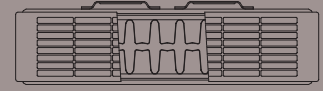
Type 22



SINGLE CONVECTOR TYPE 11



SINGLE CONVECTOR TYPE 21



DOUBLE CONVECTOR TYPE 22

Height mm	Length mm	Henrad Code	Heat emissions		Henrad Code	Heat emissions		Henrad Code	Heat emissions	
			Watts	Btu/hr		Watts	Btu/hr		Watts	Btu/hr
300	500	2031105	255	868	2032105	373	1271	2032205	491	1675
	1000	2031110	509	1737	2032110	745	2542	2032210	982	3351
	1500	2031115	764	2605	2032115	1118	3813	2032215	1473	5026
	2000	2031120	1018	3473	2032120	1490	5084	2032220	1964	6701
450	400	2011104	302	1032	2012104	422	1440	2012204	548	1871
	500	2011105	378	1290	2012105	528	1800	2012205	686	2339
	600	2011106	454	1548	2012106	633	2160	2012206	823	2807
	700	2011107	529	1806	2012107	739	2520	2012207	960	3274
	800	2011108	605	2064	2012108	844	2880	2012208	1097	3742
	900	2011109	680	2322	2012109	950	3240	2012209	1234	4210
	1000	2011110	756	2579	2012110	1055	3600	2012210	1371	4678
	1100	2011111	832	2837	2012111	1161	3960	2012211	1508	5146
	1200	2011112	907	3095	2012112	1266	4320	2012212	1645	5613
	1400	2011114	1058	3611	2012114	1477	5040	2012214	1919	6549
	1600	2011116	1210	4127	2012116	1688	5759	2012216	2194	7485
	1800	2011118	1361	4643	2012118	1899	6479	2012218	2468	8420
	2000	2011120	1512	5159	2012120	2110	7199	2012220	2742	9356
	2200	2011122	1663	5675	-	-	-	2012222	3016	10291
	2400	2011124	1814	6191	-	-	-	2012224	3290	11227
	2600	2011126	1966	6707	-	-	-	2012226	3565	12162
2800	2011128	2117	7223	-	-	-	2012228	3839	13098	
3000	2011130	2268	7738	-	-	-	2012230	4113	14034	
600	400	2061104	392	1338	2062104	538	1836	2062204	693	2364
	500	2061105	490	1672	2062105	673	2295	2062205	866	2955
	600	2061106	588	2006	2062106	807	2753	2062206	1039	3546
	700	2061107	686	2341	2062107	942	3212	2062207	1212	4137
	800	2061108	784	2675	2062108	1076	3671	2062208	1386	4728
	900	2061109	882	3009	2062109	1211	4130	2062209	1559	5319
	1000	2061110	980	3344	2062110	1345	4589	2062210	1732	5910
	1100	2061111	1078	3678	2062111	1480	5048	2062211	1905	6501
	1200	2061112	1176	4013	2062112	1614	5507	2062212	2078	7092
	1400	2061114	1372	4681	2062114	1883	6425	2062214	2425	8273
	1600	2061116	1568	5350	2062116	2152	7343	2062216	2771	9455
	1800	2061118	1764	6019	2062118	2421	8260	2062218	3118	10637
	2000	2061120	1960	6688	2062120	2690	9178	2062220	3464	11819
	2200	2061122	2156	7356	-	-	-	2062222	3810	13001
2400	2061124	2352	8025	-	-	-	2062224	4157	14183	
700	400	2071104	447	1527	2072104	612	2088	2072204	784	2676
	500	2071105	559	1906	2072105	765	2610	2072205	981	3345
	600	2071106	670	2287	2072106	918	3132	2072206	1177	4015
	700	2071107	782	2668	2072107	1071	3654	2072207	1373	4684
	800	2071108	894	3049	2072108	1224	4176	2072208	1569	5353
	900	2071109	1005	3430	2072109	1377	4698	2072209	1765	6022
	1000	2071110	1117	3811	2072110	1530	5220	2072210	1961	6691
	1100	2071111	1229	4192	2072111	1683	5742	2072211	2157	7360
	1200	2071112	1340	4573	2072112	1836	6264	2072212	2353	8029
	1400	2071114	1564	5336	2072114	2142	7309	2072214	2745	9367
	1600	2071116	1787	6098	2072116	2448	8353	2072216	3138	10705
	1800	2071118	2011	6860	2072118	2754	9397	2072218	3530	12044
2000	2071120	2234	7622	2072120	3060	10441	2072220	3922	13382	

LST Standard



The Henrad LST Standard has been specifically designed to meet the highest standards for low surface temperature radiators.

The range meets the NHS guidance for 'safe hot water and surface temperature'. All radiators are finished with an anti-bacterial paint as standard.

LST Standard



- Henrad LST Standard gives you the option to specify controls.
- LST Standard has the option to reverse the attractive outer casing to suit the pipe layout.
- For peace of mind the paint finish is anti-bacterial.
- The LST Standard comes complete with all components required in one easy package.
- The internal emitter generates excellent heat outputs through convection.
- Tested to high standards, the emitter has a maximum working pressure of 116psi (8 bar) and conforms to BS EN 442.

Working pressure:
Tested to withstand 8 bar



LST Standard

Type K1

Casing Height mm	Casing Length mm	Henrad Code	Heat emissions	
			Watts	Btu/hr
500	560	145400	196	669
	760	145424	290	989
650	760	145425	435	1484
	960	145426	580	1979
	1160	145427	725	2474
	1360	145428	870	2968

Btu/hr @ $\Delta t50^{\circ}\text{C}$

LST Standard

Type K2

Casing Height mm	Casing Length mm	Henrad Code	Heat emissions	
			Watts	Btu/hr
500	560	145416	348	1187
	760	145417	522	1781
	1160	145419	870	2968
650	560	145440	478	1631
	760	145441	717	2446
	960	145442	956	3262
	1160	145443	1195	4077
	1360	145444	1434	4893
	1560	145445	1673	5708
	1760	145446	1912	6524
	1960	145447	2151	7341
800	760	145465	922	3146
	960	145466	1230	4197
	1160	145467	1537	5244
	1360	145468	1844	6295
	1560	145469	2152	7343
	1760	145470	2459	8393
1960	145471	2767	9441	

Btu/hr @ $\Delta t50^{\circ}\text{C}$

Technical Data

Technical information

Testing and Operating Pressures

Henrad Arno Towel Rail Range has been independently tested to ensure radiators perform to a maximum working pressure of 6 bar. Henrad Verona Towel Rail has been independently tested to ensure radiators perform to a maximum working pressure of 4 bar. Henrad Verona Range has been independently tested to ensure radiators perform to a maximum working pressure of 4.6 bar. Henrad Column Range, Everest Line, Alto Line and Compact have been independently tested to ensure radiators perform to a maximum working pressure of 8 bar.

Connections

Henrad Compact and Henrad Everest Line have 4 x 1/2" BSP connections as standard.

Henrad Verona has 2 x 1/2" connections (BOE) as standard.

Henrad Column has 1/2" BSP Top Bottom Opposite End connections (TBOE) as standard.

Paint Process

Two coat paint process, each Henrad radiator is subjected to a multi-stage cleaning and paint process.

The final powder coat is Warm white (RAL 9016) which is stoved and cooled to give a perfect finish. All radiators are illustrated in Warm white unless stated.

Water Treatment

Installation of the system should be properly flushed and fitted in accordance with the British Code of Practice for the Treatment of Water in Domestic Hot Water Central Heating Systems.

Warranty

Henrad Arno Towel Rail Range, Henrad Verona Towel Rail, Henrad Verona Range, Henrad Column Range, Henrad Everest Line, Henrad Alto Line come with a 5 year manufacturer's warranty.

Henrad Compact comes with a 10 year manufacturer's warranty.

Heating Element

Option available.

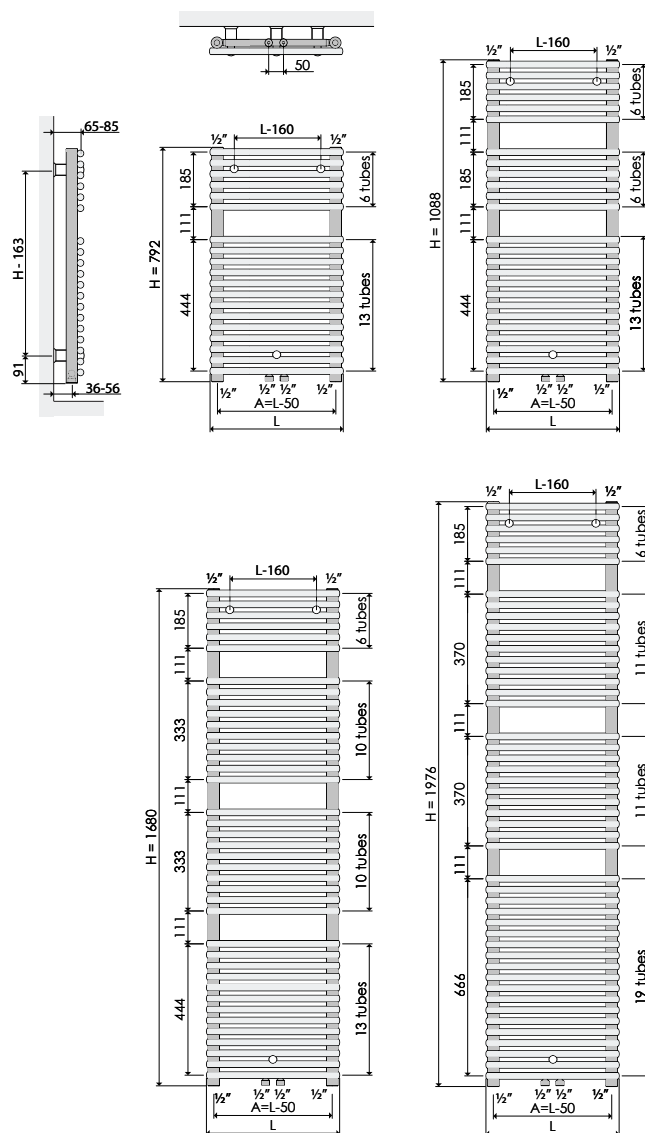
For more information contact the sales office on 0844 543 6200



Arno Towel Rail Range

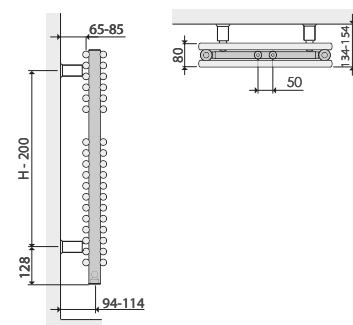
Arno Single

All dimensions in mm unless stated.



Arno Double

All dimensions in mm unless stated.



Technical Data

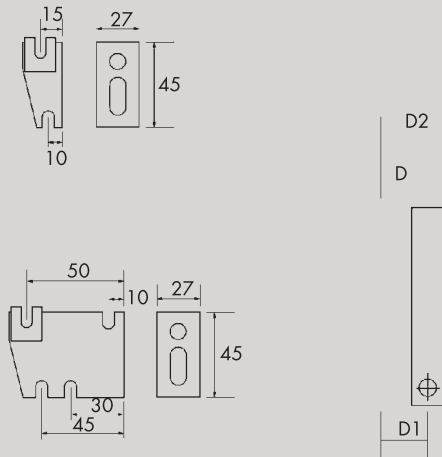
Henrad Verona

Wall Mounting Information

All dimensions in mm.

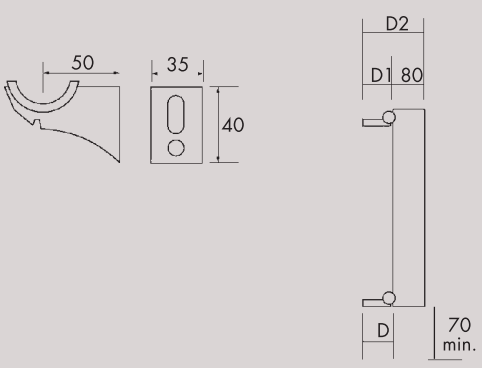
Henrad Verona Plane

Henrad Verona Vertical



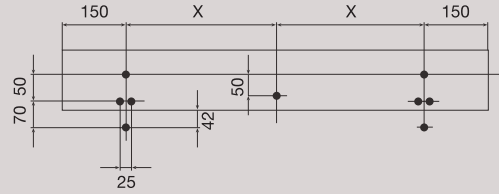
Type	From back of radiator to wall D	From wall to centre of connections D1	From front of radiator to wall D2
Verona Plane Single	9	44	69
Verona Plane Double	27	94	119
Verona Vertical	25	44	70

Henrad Verona Slimline



Type	Back face to finished wall D	From wall to centre of connections D1	From front of radiator to wall D2
Verona Slimline	35	50	130

Henrad Verona Lo-line

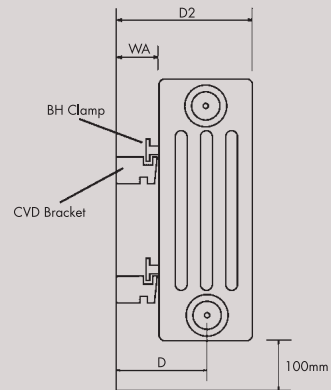


Height mm	Width mm	X mm
144	800	250
144	1000	350
144	1200	450
144	1400	550
144	1600	650
144	1800	750
144	2000	850
144	2200	950

Henrad Column

Wall Mounting Information

All dimensions in mm.



Measurements using 10mm CVD Bracket Slot
(add 5mm if using 15mm Slot)

	WA	D	D2
2 Column	23	54	85
3 Column	23	73	123
4 Column	23	91	159

Accessories

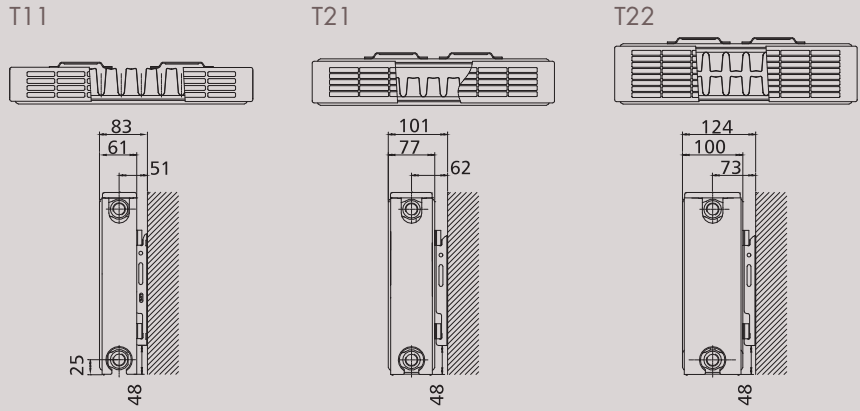
- 163061 Wall bracket retaining spring
- 163062 Wall bracket clamp for classic column
- 148137 Column feet set for 2, 3 & 4 column

Prices on request

Henrad Everest Line & Henrad Compact

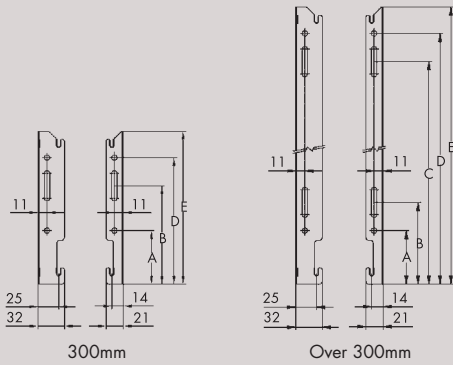
Wall Mounting Information

All dimensions in mm.



Mounting Bracket Information

All dimensions in mm.

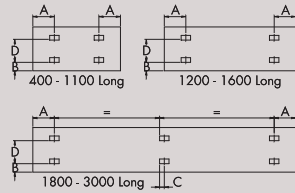


All dimensions in mm.

Height	300	450	500	600	700
A	65	65	65	65	65
B	119	99	99	99	99
C	-	269	319	419	519
D	153	303	333	453	553
E	185	335	385	485	585

T11, T21 & T22 Lug Positions

All dimensions in mm.



Panel Height D

mm	mm
300	155
450	305
600	455
700	555

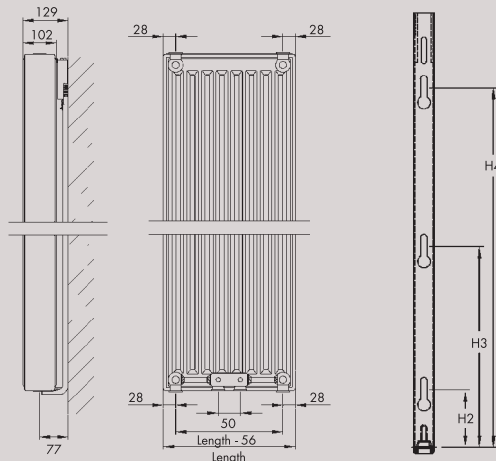
T21 & T22 T11

Dimensions	mm	Dimensions	mm
A	133	A 400mm	117
B	60	A 500 - 3000mm	150
		B 400 - 3000mm	60
		C 1800 - 3000mm	17

Henrad Alto Line

Wall Mounting Information

All dimensions in mm.



Mounting Bracket Information

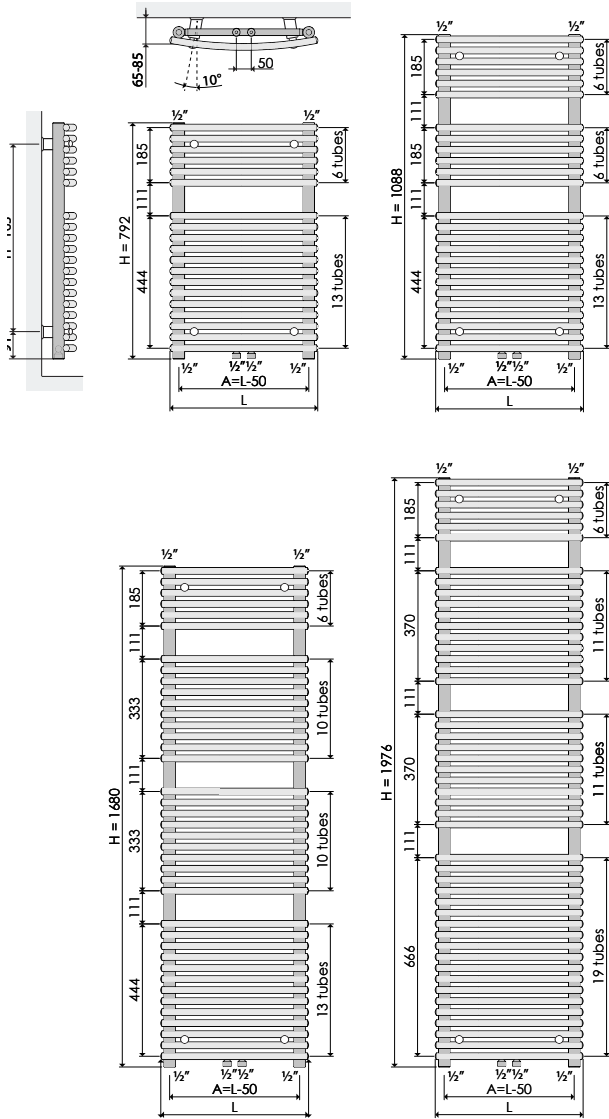
All dimensions in mm.

Height	H2	H3	H4
1600	70	730	1390
1800	70	830	1590

Verona Range

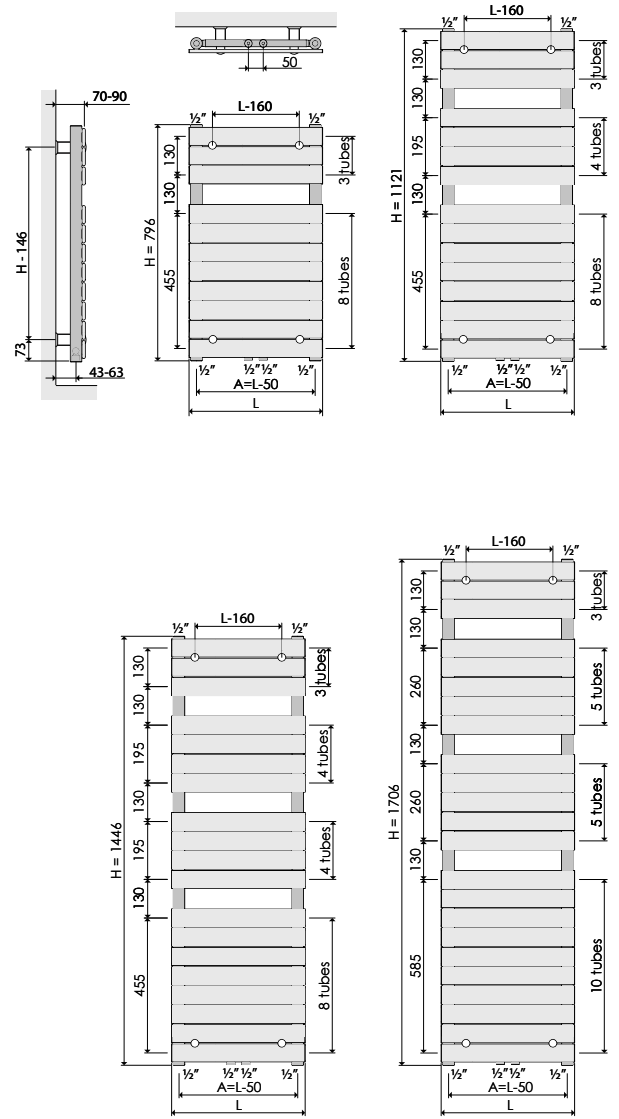
Arno Curved Towel Rail

All dimensions in mm unless stated.



Verona Towel Rail

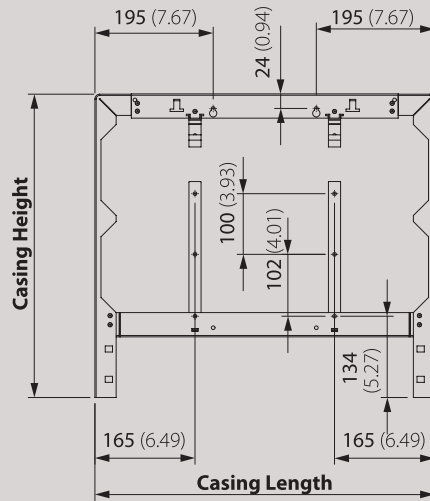
All dimensions in mm unless stated.



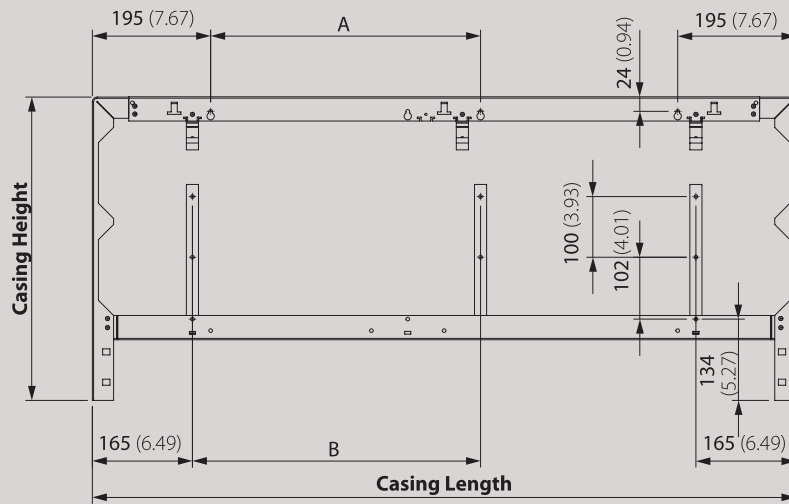
Technical Data

LST Standard

Casing Length	Casing Height
560	500
760	650
960	800



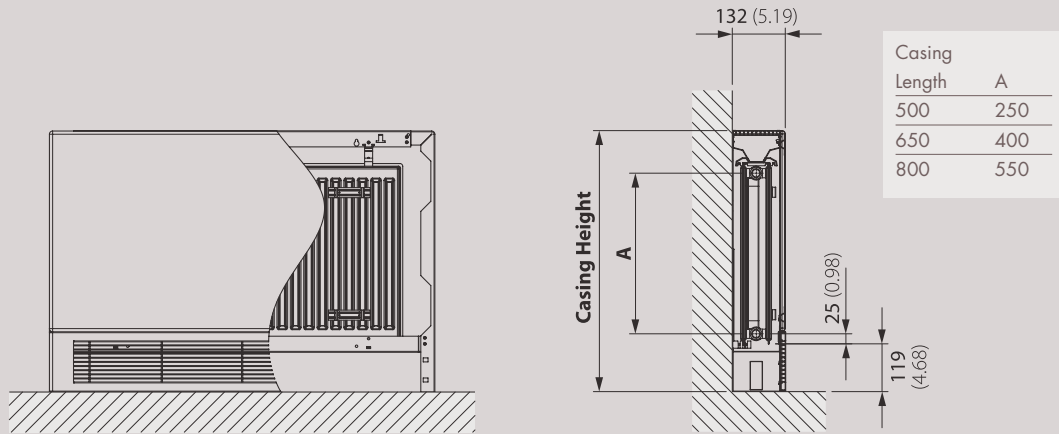
All dimensions in mm unless stated.



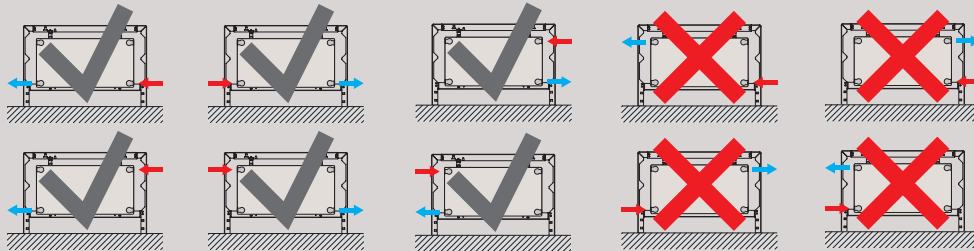
Casing Length	A	B	Casing Height
1160	445	475	500
1360	545	575	650
1560	645	675	800
1760	745	775	
1960	845	875	

LST Standard

All dimensions in mm unless stated.



LST Standard piping option



LST Standard front case view.



LST Standard inside the casing showing the emitter.



LST Standard emitter, showing high level valve option (valve not included).



LST Standard circular knockout for TRV. Oblong knockout for pipe.

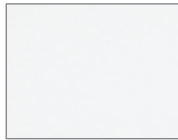
Colour Range

A shade for every room, for every interior. Opt for warm elegance, baroque ambience or modern minimalism. With Henrad, you can heat your home in colour. Choose from a full range of stylish radiator colours.

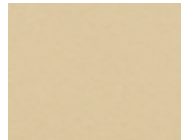
Natural Colour



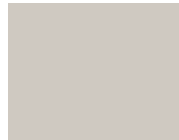
NT110
Papyrus white
510110



NT120
Pearl white
510120



NT130
Champagne
510130



NT140
Beige
510140



NT150
Beige grey
510150



NT160
Pebble grey
510160



NT170
Quartz grey
510170



SN110
Cream white
530110



SN120
Cream
530120



SN130
Mocca
530130



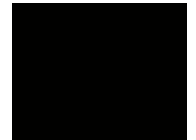
SN140
Bordeaux
530140



SN150
Sepia
530150

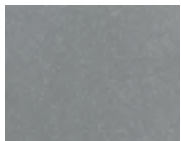


SN160
Pale blue
530160



SN170
Black
530170

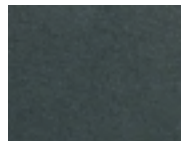
Metallic Colour



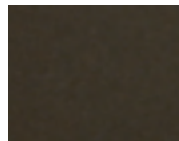
ML110
Dove grey
520110



ML120
Titanium grey
520120



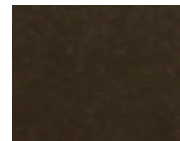
ML130
Blue grey
520130



ML140
Granite
520140



ML150
Cappuccino
520150



ML160
Terra brown
520160



ML170
Graphite black
520170

RAL Colour



A1004
Golden yellow
541004



A2003
Pastel orange
542003



A3002
Carmine red
543002



A3003
Robin red
543003



A5002
Ultramarine blue
545002



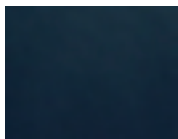
A6018
Yellow green
546018



A7001
Silver grey
547001



A7011
Iron grey
547011



A7016
Anthracite grey
547016



A7030
Stone grey
547030



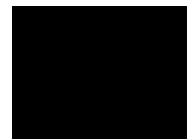
A7035
Light grey
547035



A8017
Chocolate brown
548017



A9003
Signal white
549003



A9005
Jet black
549005



A9016
Warm white

The colours shown throughout the brochure are reproduced as accurately as this process will allow and can be made to order on the identified products.

Please Note: Colour options are available in the Arno Towel Rail Range and Verona Towel Rail only. Price of coloured radiators are available on request. When a coloured radiator has been ordered it cannot be cancelled or returned. All coloured radiators have a 6 week lead time from date of order.



Glossary

Btu/hr British Thermal Unit per hour is the standard measurement used to state the amount of output of any heat generating device.

Watts Is another measurement for heat output, 1 watt is equivalent to 3.412 Btu/hr.

Type 11 Also known as Type K1, is a type of radiator with 1 radiator panel and 1 set of convection fins.

Type 21 Also known as Type P+, is a type of radiator with 2 radiator panels and 1 set of convection fins.

Type 22 Also known as Type K2, is a type of radiator with 2 radiator panels and 2 sets of convection fins.

Δt Refers to the difference in temperature between the water circulating in the central heating system and that of the ambient temperature. It is important to use the correct Δt when selecting your radiators, as the same radiator will have different outputs at different water temperatures.

$\Delta t50$ $\Delta t50$ is the UK standard, however Henrad also quote at lower levels for lower water temperature systems.

Heat loss Is the amount of heat a room loses, it is therefore an important calculation when determining what size radiator is required to heat a room to the correct level.

Warranty The warranty covers any defect that is attributable to a manufacturing, assembly or material fault, further details available on request.



Is a set of International regulations related to quality management systems.

TBOE / BOE Refers to which position the pipes are connected to the radiator, OE means opposite end i.e. 1 pipe on each side, TB is top bottom i.e. 1 pipe is connected to the top and 1 to the bottom, B is both pipes connected to the bottom.



EN 442 is the European standard which defines the manufacturing standards for radiators and convectors which operate at temperatures of less than 120°C. The standard defines the type of steel which must be used, the type of pressure testing which must be carried out and the accuracy of the heat outputs quoted in the literature.

RAL A European wide colour matching system.

BSP British Standard Piping.



The CE marking is the manufacturers declaration that the product meets the requirements of the applicable EC directive. This is applicable to all Henrad products.





HENRAD

STELRAD RADIATOR GROUP



Архангельск (8182)63-90-72
Астана +7(7172)727-132
Белгород (4722)40-23-64
Брянск (4832)59-03-52
Владивосток (423)249-28-31
Волгоград (844)278-03-48
Вологда (8172)26-41-59
Воронеж (473)204-51-73
Екатеринбург (343)384-55-89
Иваново (4932)77-34-06
Ижевск (3412)26-03-58
Казань (843)206-01-48

Калининград (4012)72-03-81
Калуга (4842)92-23-67
Кемерово (3842)65-04-62
Киров (8332)68-02-04
Краснодар (861)203-40-90
Красноярск (391)204-63-61
Курск (4712)77-13-04
Липецк (4742)52-20-81
Магнитогорск (3519)55-03-13
Москва (495)268-04-70
Мурманск (8152)59-64-93
Набережные Челны (8552)20-53-41

Нижний Новгород (831)429-08-12
Новокузнецк (3843)20-46-81
Новосибирск (383)227-86-73
Орел (4862)44-53-42
Оренбург (3532)37-68-04
Пенза (8412)22-31-16
Пермь (342)205-81-47
Ростов-на-Дону (863)308-18-15
Рязань (4912)46-61-64
Самара (846)206-03-16
Санкт-Петербург (812)309-46-40
Саратов (845)249-38-78

Смоленск (4812)29-41-54
Сочи (862)225-72-31
Ставрополь (8652)20-65-13
Тверь (4822)63-31-35
Томск (3822)98-41-53
Тула (4872)74-02-29
Тюмень (3452)66-21-18
Ульяновск (8422)24-23-59
Уфа (347)229-48-12
Челябинск (351)202-03-61
Череповец (8202)49-02-64
Ярославль (4852)69-52-93

Единый адрес для всех регионов: hdr@nt-rt.ru || www.henrad.nt-rt.ru